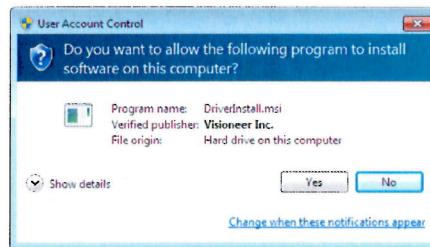


Before You Begin

Please make sure of the following before you begin installation:

- If you are prompted to reboot during installation, please select "No". Finish installing the rest of the software, then close all open windows and reboot your computer.
- The information in this guide may cover software not provided with the scanner you purchased. Please disregard any information about the software not applicable to your scanner. Visit our web site at www.xeroxscanners.com for the latest software updates for your Xerox scanner.
- If your computer has AntiVirus or AntiSpyware software running, you may encounter alerts or messages during installation asking you to allow the installation to proceed. Although the messages will differ based on the software your computer is running, in each case you should allow the installation to proceed if that option is available. Alternatively, you can turn off the AntiVirus or AntiSpyware software before installing your scanner, but if you do, make sure to turn it back on again when installation is finished.
- If you already have a scanner connected to your computer, it is recommended that you remove that scanner's driver program prior to installing your Xerox scanner. You can remove these programs from the Windows Control Panel. Please refer to the user manual provided with your other scanner hardware for instructions about removing the driver and software for that unit.
- If your computer is running Windows Vista or Windows 7, you may see the Windows User Account Control screen asking you to confirm system changes. Click the **Yes** button to allow the installation to proceed.



Install the Software and Connect the Scanner

The installation disc contains the necessary driver, and scanning software, to use your Xerox scanner.

To install the software:

1. Start Microsoft Windows and make sure that no other applications are running.
2. Insert the installation disc into your computer's DVD-ROM drive.
The disc automatically starts.



3. The Select Language window opens. Click the drop-down menu arrow and select the language to use. Click **OK**.
4. The disc's Main menu window opens.

Note: If the disc does not start, check the following:

- Make sure the disc drive's door is completely shut.
- Make sure the disc was inserted in the drive in the proper direction (label side up).

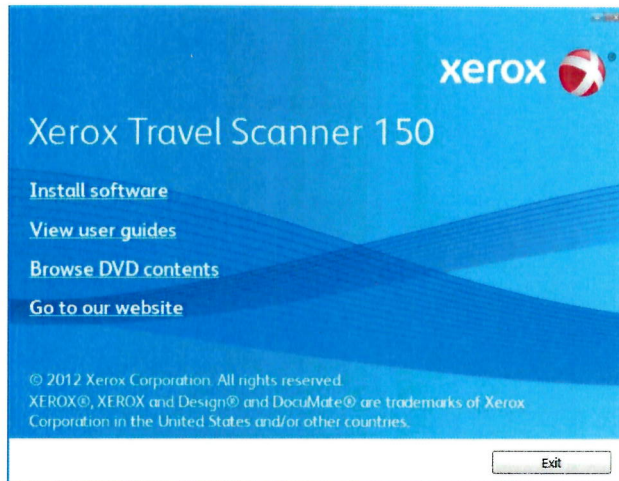
To launch the disc manually:

- Open the Windows options for your computer's disc drives.
- Double-click the icon for your DVD-ROM drive.
- The Installation menu for the disc should now open.

If the menu does not open:

- From the list of files on the disc, double-click the file named setup.exe.

5. On the Main menu, select **Install software**.



6. Make sure the boxes for **Scanner Driver** and **Visioneer One Touch** are selected, as well as any other applications you want to install.



Note: The software provided with your scanner may differ slightly from the list shown in the window.

7. Click **Install now**.

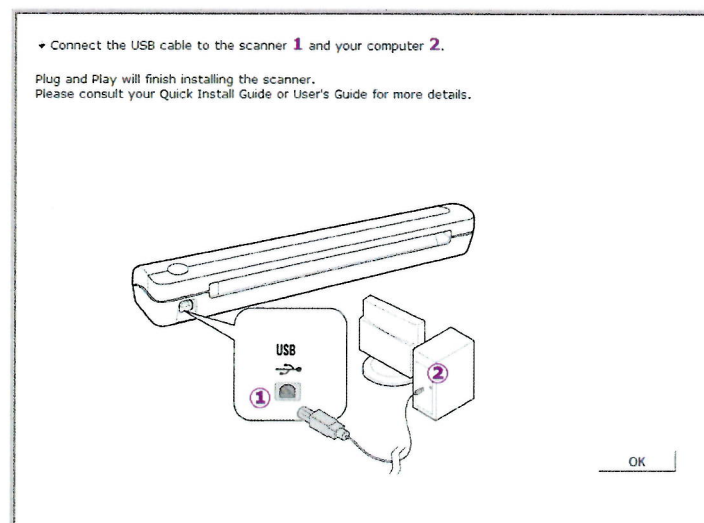
Installing the Scanner Driver

The scanner driver installation will start first.

1. The Welcome to the Xerox Setup Wizard opens.



2. Click **Next**.
3. On the Xerox License Agreement window, read the license agreement. If you accept the terms, select **I Agree** then click **Next**.
If you choose not to accept the license agreement, click **Cancel**. Click **Close** on the Installation Interrupted window.
4. The software will now be installed.
5. **Stop** when you see the "Complete the installation by connecting your hardware" window. Do not click **OK** yet. Leave the window open and proceed to the next section.



Note: If you do not see this on-screen diagram for connecting the scanner, stop and follow the instructions below.

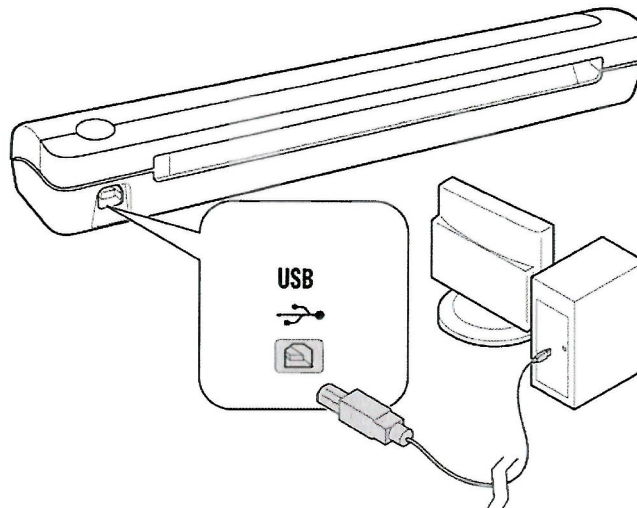
Connect the USB Cable

The scanner does not have an external power supply. It draws its power directly from the computer through the USB cable. If you use a USB hub with your computer, the hub must have its own power supply. The scanner does not have an on/off switch. The scanner is ready to scan as soon as its software is finished loading onto your computer.

After you plug in the scanner you will be prompted perform a calibration. Please have your calibration page ready.



1. Remove any tape from the USB cable.
2. Plug the USB cable into the USB port on the scanner then into a USB port on the computer.

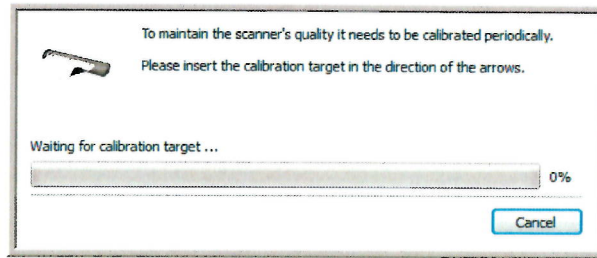


If the plug does not attach easily, make sure that you are plugging it in correctly. Do not force the plug into either connection.

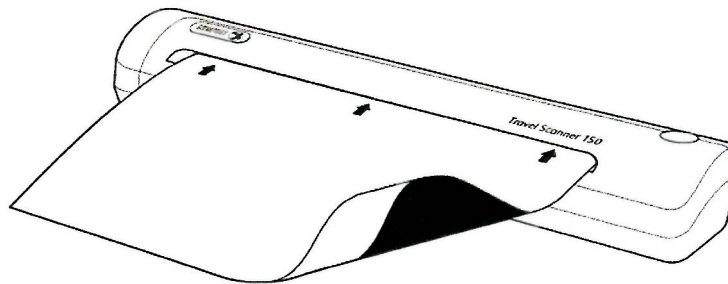
Your computer recognizes that a scanner has been plugged into the USB port and automatically loads the appropriate software to run the scanner. If your computer is running Windows version XP or later, you will see a message similar to the one below.



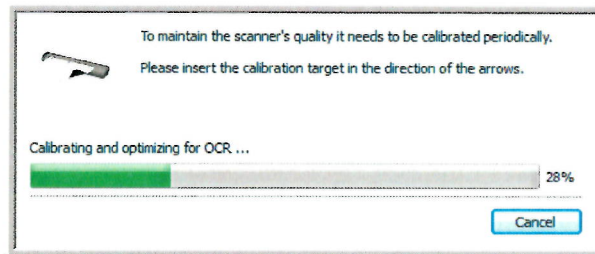
3. The calibration utility opens. Follow the instructions on screen for calibrating the scanner.



4. Place the calibration page in the scanner in the direction printed on the page. The black strip should be *face down*.

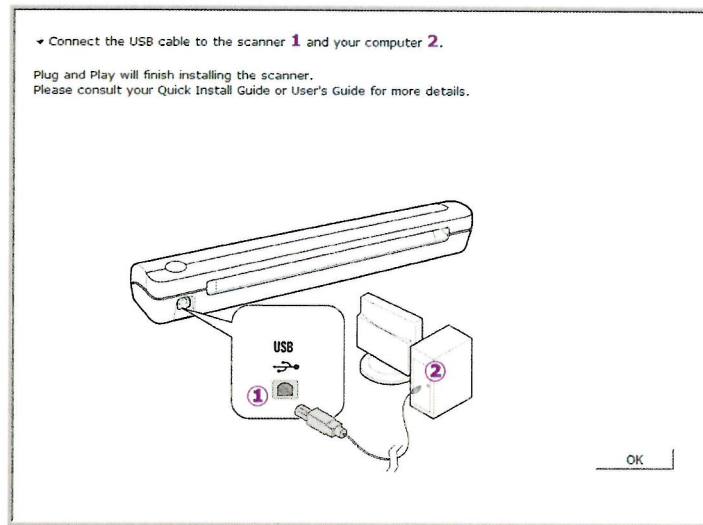


5. The scanner will pull the calibration page through the scanner. The page will move back and forth as the scanner calibrates for the difference between dark and light.



6. When calibration is complete, the scanner will back the page out of the paper feed. Remove the page when prompted by the calibration utility. When you remove the calibration page from the scanner the calibration utility will automatically close. If the utility does not close, click on OK to close the window.

7. When you're certain that the software has completely loaded, return to the "Complete the installation by connecting your hardware" window.



8. Click **OK** to complete the installation process.
9. Click **Close** on the Installation Complete window to close and exit the driver installer.

